

Model.YMBL230

BRUSHLESS MINI ELECTRIC WINCH

capacity: **230kg**



Hat injection encapsulation process to prevent torsion breaking



Hanging buckle to prevent the pulling



Button handle with appearance patent



Brushless motor



Intelligent integrated circuit

USAGE:

Suitable for hanging and lifting the structure, mould, advertising board and other materials in engineering project, workshop, shopping mall and warehousing.

SPECIAL FEATURES:

Motor system:

Super industrial brushless frequency conversion motor with high power and high efficiency. Suitable for long time working. It features temperature protection device, overload protection device and step less speed regulation.

Electric control system:

Its circuit has no capacitor, and controlled by SCM. It features stable performance, high power factor, plug and pull wiring, convenient and reliable operation and maintenance.

Brake system:

Dual brake system: mechanical double pawl gear brake system and controller short-circuit resistor brake system. Use high friction coefficient oiled copper brake disc, no need to be adjusted. The brake system will act immediately when power failure or winch failure. Full safety and long service life.

Safety system:

The position limit device will stop the winding of cable when it gets the upper and lower limits. It guarantees the safety of operation.

Cable specification:

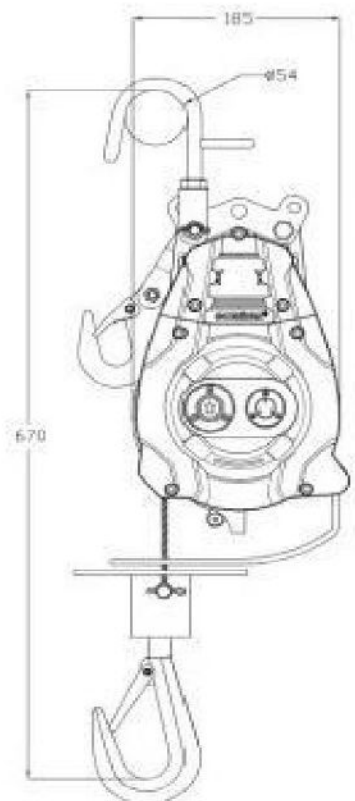
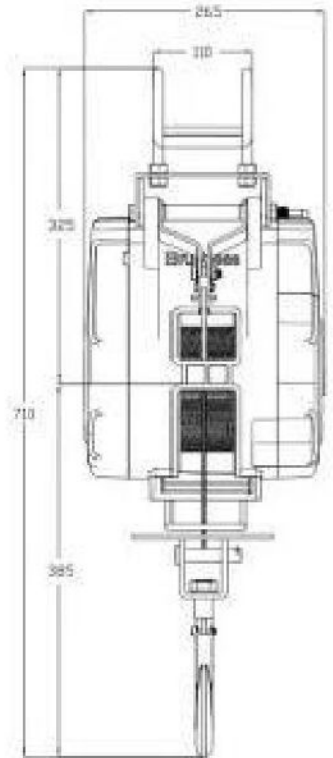
The cable is made of steel wire imported from Japan, and manufactured by specialized wire rope factory. Its safety factor is 4:1.

Gear system:

Use high efficiency bevel drive reduction gear. The strength of heat treated alloy steel gear is 3 times higher than rated capacity of winch.

Main unit housing:

The housing of motor and gear box is one-piece aluminum alloy die-casting structure with strong toughness. It is machined by CNC with high precision, which makes the running of winch smooth and low noise. The surface of housing is powder coated, which grade is same as automobile with nice appearance. It also features compact and light weight.



Technical Parameter

| Model | Voltage/frequency | Speed | wire rope | Motor | Rated Load | Weight |
|---------|-------------------|-----------|--------------|-------|------------|--------|
| YMBL230 | 220V 50/60Hz | 7-19m/min | 30m(5mmx30m) | 2100W | 230kgs | 17kgs |

Model.YMBL360

BRUSHLESS MINI ELECTRIC WINCH

capacity: **360kg**



Hat injection encapsulation process to prevent torsion breaking



Hanging buckle to prevent the pulling



Button handle with appearance patent



Brushless motor



Intelligent integrated circuit

USAGE:

Suitable for hanging and lifting the structure, mould, advertising board and other materials in engineering project, workshop, shopping mall and warehousing.

SPECIAL FEATURES:

Motor system:

Super industrial brushless frequency conversion motor with high power and high efficiency. Suitable for long time working. It features temperature protection device, overload protection device and step less speed regulation.

Electric control system:

Its circuit has no capacitor, and controlled by SCM. It features stable performance, high power factor, plug and pull wiring, convenient and reliable operation and maintenance.

Brake system:

Dual brake system: mechanical double pawl gear brake system and controller short-circuit resistor brake system. Use high friction coefficient oiled copper brake disc, no need to be adjusted. The brake system will act immediately when power failure or winch failure. Full safety and long service life.

Safety system:

The position limit device will stop the winding of cable when it gets the upper and lower limits. It guarantees the safety of operation.

Cable specification:

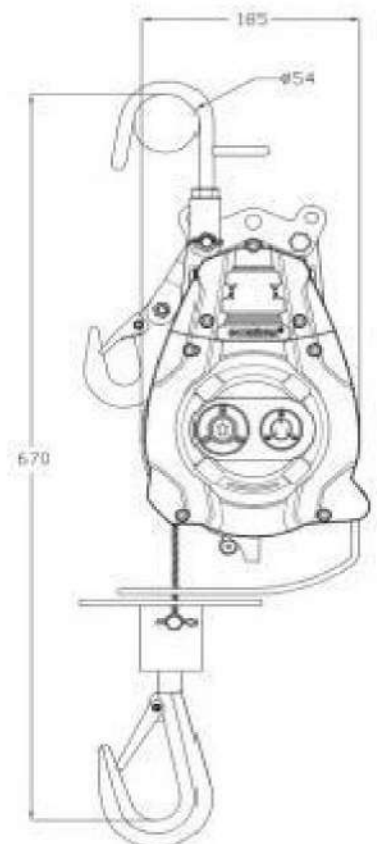
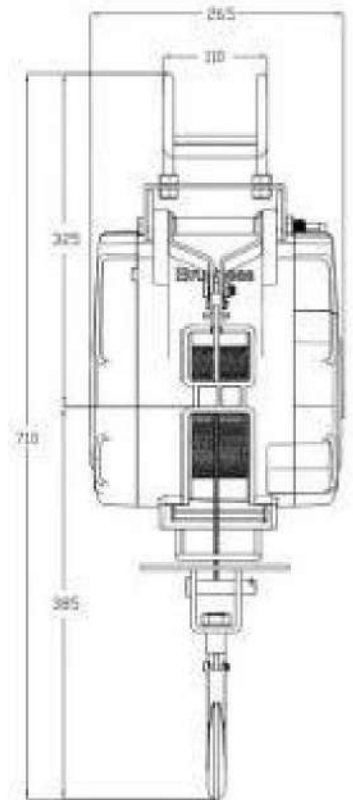
The cable is made of steel wire imported from Japan, and manufactured by specialized wire rope factory. Its safety factor is 4:1.

Gear system:

Use high efficiency bevel drive reduction gear. The strength of heat treated alloy steel gear is 3 times higher than rated capacity of winch.

Main unit housing:

The housing of motor and gear box is one-piece aluminum alloy die-casting structure with strong toughness. It is machined by CNC with high precision, which makes the running of winch smooth and low noise. The surface of housing is powder coated, which grade is same as automobile with nice appearance. It also features compact and light weight.



Technical Parameter

| Model | Voltage/frequency | Speed | wire rope | Motor | Rated Load | Weight |
|---------|-------------------|-----------|--------------|-------|------------|--------|
| YMBL360 | 220V 50/60Hz | 6-17m/min | 60m(5mmx60m) | 2400W | 360kgs | 23kgs |

Model.YMBL500

BRUSHLESS MINI ELECTRIC WINCH

capacity: **500kg**



Hat injection encapsulation process to prevent torsion breaking



Hanging buckle to prevent the pulling



Button handle with appearance patent



Brushless motor



Intelligent integrated circuit

USAGE:

Suitable for hanging and lifting the structure, mould, advertising board and other materials in engineering project, workshop, shopping mall and warehousing.

SPECIAL FEATURES:

Motor system:

Super industrial brushless frequency conversion motor with high power and high efficiency. Suitable for long time working. It features temperature protection device, overload protection device and step less speed regulation.

Electric control system:

Its circuit has no capacitor, and controlled by SCM. It features stable performance, high power factor, plug and pull wiring, convenient and reliable operation and maintenance.

Brake system:

Dual brake system: mechanical double pawl gear brake system and controller short-circuit resistor brake system. Use high friction coefficient oiled copper brake disc, no need to be adjusted. The brake system will act immediately when power failure or winch failure. Full safety and long service life.

Safety system:

The position limit device will stop the winding of cable when it gets the upper and lower limits. It guarantees the safety of operation.

Cable specification:

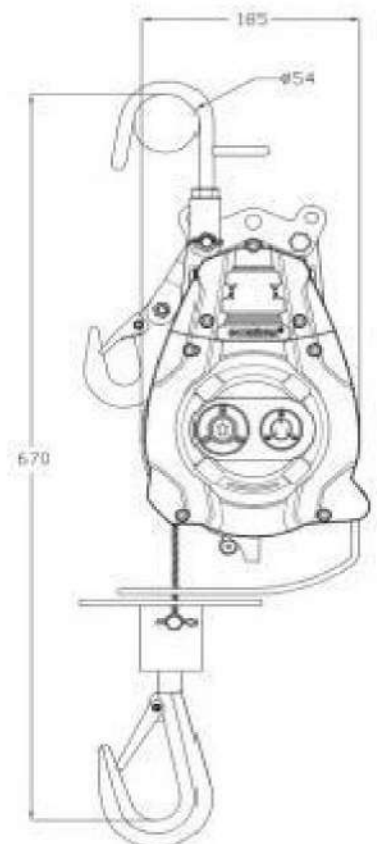
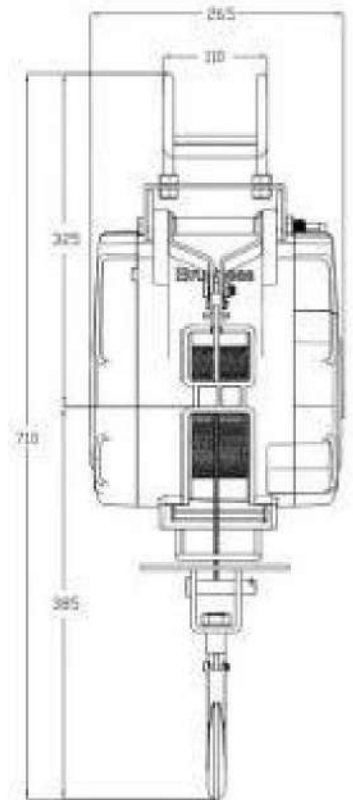
The cable is made of steel wire imported from japan, and manufactured by specialized wire rope factory. Its safety factor is 4:1.

Gear system:

Use high efficiency bevel drive reduction gear. The strength of heat treated alloy steel gear is 3 times higher than rated capacity of winch.

Main unit housing:

The housing of motor and gear box is one-piece aluminum alloy die-casting structure with strong toughness. it is machined by CNC with high precision, which make the running of winch smooth and low noise. The surface of housing is powder coated, which grade is same as automobile with nice appearance. It also features compact and light weight.



Technical Parameter

| Model | Voltage/frequency | Speed | wire rope | Motor | Rated Load | Weight |
|---------|-------------------|-----------|--------------|-------|------------|--------|
| YMBL500 | 220V 50/60Hz | 5-16m/min | 30m(6mmx30m) | 2800W | 500kgs | 24kgs |



YM-2000

FEATURES

- Highly nominal and efficient roller bearing is used on the gear.
- The gear has received heat treatment high precision processing and is abrasion resistant.
- The power is under even distribution of force for higher safety and longer lifetime.
- The electromagnetic brake requires no adjustment clearance and it brakes automatically during power failure thereby offering both safety and reliability.
- Motor sensor for longer and more frequent usage as well as easy maintenance.
- Three phases 220V/380V/440V.

SPECIFICATION

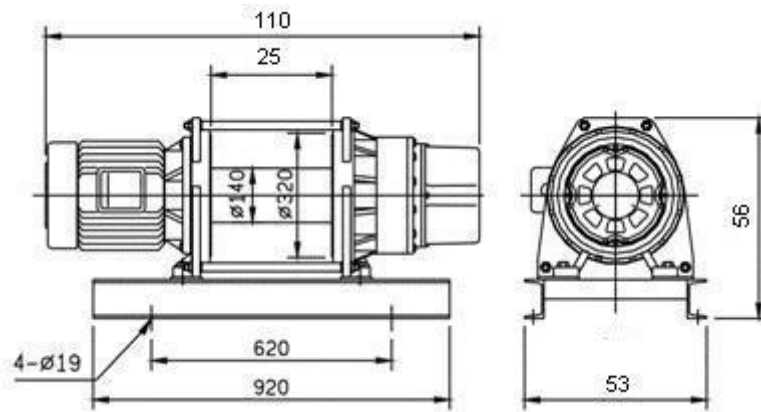
- Lifting Capacity (top layer) : 2,000 kg
- Lifting Speed : Option : 15 ~ 20 m/min
- Motor : Option : 7.5 HP x 4 poles
- Lifting height : 97 m
- Wire Rope : 14 mm x 100 m

Note :

Above performance ratings are based on 50 Hz supply. (60 Hz motor available as option resulting in a reduction of lifting capacities by 20% and a speed increase of 20%)

1. All ratings are based on the top layer. For each layer reduction on the drum pulling capacity is increased by 10%
2. Use a snatch block for double line operation, to increase line pull by approximately 85%

DIMENSIONS (mm)



STANDARD ACCESSORIES

- Wire rope w/safety hook
- Switch cord 1.25 mm x 3C x 3 m
- Power lead 3.5 mmx 4C x 0.3 m
- Pendant Switch K61
- Base Plate

OPTIONAL ACCESSORIES

- Pendant control K-61B assembly

PACKAGE

- Winch Weight : 300 kg
- Gross Weight : 301 kg

Industrial Electrical Winch

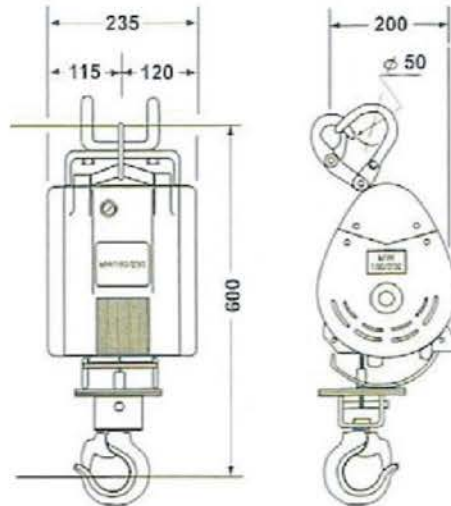


Features

- Lightweight and compact design allows easy installation
- Automatic upper limit switch when rope disc touches the limit arm, hoisting is automatically stopped
- Dynamic and mechanical brake provides instant and safe braking
- can operate on standard domestic power supply
- Sensor arm automatically stops motor if the wire rope is under-wound
- Wire rope comes with a 360° weight hook with safety latch

Standard Accessories

- Wire rope 5mmx70m
- Weight hook K-11
- Switch cord 2mm²x5Cx7m
- Power lead 2mm²x3Cx4.5m
- Pendant switch K-160



| Model | | YM-230 | YM-360 | YM-500 |
|---|-------------|---------|--------|---------|
| Lifting Capacity kg Wire Rope Top Layer | | 230 | 360 | 500 |
| Lifting Speed m/min | First Layer | 9 | 13 | 8 |
| | Top Layer | 14 | 18 | 12 |
| Motor kw x A | 220V-240V | 1.3x6.5 | 1.8x7 | 2.0x7 |
| Lifting Height m | | 29 | 59 | 29 |
| Wire rope Ø mm x m | | 5x30 | 5x60 | 6.35x30 |
| Net Weight kg | | 18 | 23 | 28 |
| Gross Weight kg | | 25 | 30 | 35 |

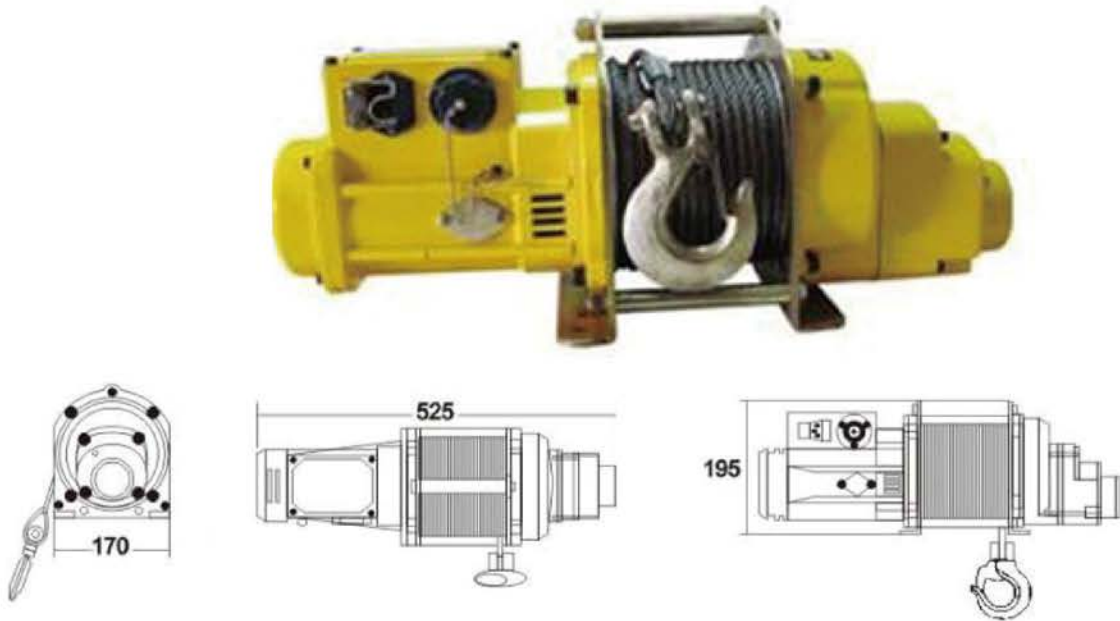
Industrial Electrical Winch

Features

- Lightweight and compact design for easy installation
- Dynamic and mechanical brake provides instant and safe braking
- Operates on standard household power supply
- Comes complete with wire rope and hook
- Enclosed drum flange to prevent ropes becoming trapped between drum and support castings

Standard Accessories

- Wire rope 5mmx70m
- Switch cord 2mm²x6Cx6m
- Switch cord 2mm²x3Cx4.5m
- Pendant switch K-613



| Model | | YM-301L | YM-501S |
|---|------------------|-----------------------|-----------------------|
| Lifting Capacity kg Wire Rope Top Layer | | 300 | 500 |
| Lifting Speed m/min | First Layer | 12 | 7 |
| | Top Layer | 16 | 11 |
| Motor kw X A | Type | Series Wound | Series Wound |
| | Output 220V-240V | 14x6.5 | 14x6.5 |
| Braking Methods | For Motor | Electromagnetic Brake | Electromagnetic Brake |
| | For Gear | Mechanical Brake | Mechanical Brake |
| Lifting Height m | | 69 | 24 |
| Wire Rope | Diameter mm | 5 | 7 |
| | Length m | 70 | 25 |
| | Construction | 6x19 | 6x19 |
| Drum Dimension mm | Width | 115 | 115 |
| | Drum Dia | 80 | 80 |
| | Flange Dia | 123 | 123 |
| Mounting Bolt pattern mm | | 153x80 | 153x80 |
| | | 167x132 | 167x132 |
| Net Weight kg | | 27 | 28 |
| Gross Weight kg | | 29 | 30 |

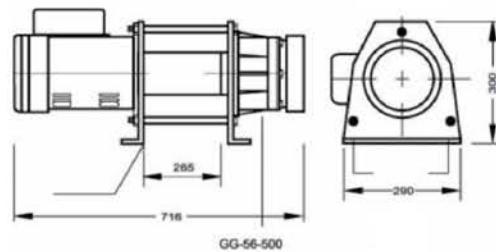
Heavy-Duty Industrial Electrical Winch

Features

- Positive retention of wire rope on to drum
- Electromagnetic spring-applied fail safe brake
- Heavy duty high efficiency ball bearings on all running surfaces
- planetary gearing for maximum mechanical efficiency
- Enclosed drum flange to prevent ropes becoming trapped between drum and support castings quiet running

Standard Accessories

- Wire rope 8mmx50m for YM-501
- Weight hook K-17
- Switch cord 3.55mm²x5Cx3m
- Power lead 5.5mm²x3Cx60com and industry plug
- Pendant switch K-213



| Model | | YM-501 |
|---|-------------|-----------|
| Lifting Capacity kg Wire Rope Top Layer | | 500 |
| Lifting Speed m/min | First Layer | 18 |
| | Top Layer | 23 |
| Motor Rating IP44 | kw/poles | 1.8 x 4 |
| Maximum Lifting Height m | | 49 |
| Wire Rope ø mm x m | | 8 x 50 |
| Drum Dimension | Width | 210 |
| | Drum Dia | 92 |
| | Flange Dia | 200 |
| Mounting Bolt Pattern mm | | 255 x 165 |
| Net Weight kg | | 62 |
| Gross Weight kg | | 65 |

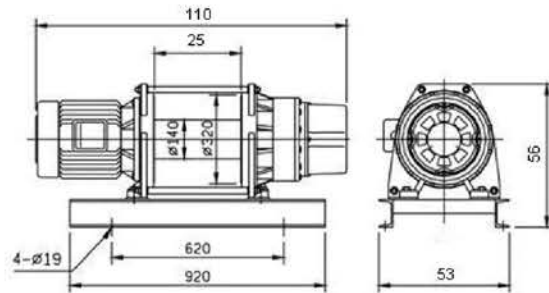
Heavy-Duty Industrial Electrical Winch

Features

- Heavy duty high efficiency ball bearings on all running surfaces
- Planetary gearing for maximum efficiency
- Cast steel foot mounting
- Fabricated steel drum
- Electromagnetic spring-applied fail safe brake
- Supplied on steel base plate ready to mount
- Enclosed drum flange to prevent ropes becoming trapped between drum and support castings quietrunning

Standard Accessories

- Wire rope w/ safety hook
- Switch cord 1.25mm²x3Cx10m
- Power lead 14mm²x4Cx1m
- Pendant switch K-61
- Base Plate



| Model | YM-1000 |
|---------------------------------|---------|
| Lifting Capacity (Top Layer kg) | 1000 |
| Lifting Speed (m/min) | 15-20 |
| Motor (kw x poles) | 5.5x4 |
| Lifting (Height m) | 58 |
| Wire Rope (ø mm x m) | 10x60 |
| Net Weight (kg) | 210 |
| Gross Weight (kg) | 240 |

PA100A

Features

Emergency stop switch
Upper limit device
Thermal protection terminal
Protection class IP54



| Method of use | Single hook | Double hook |
|--------------------------|-------------|-------------|
| Rated volt(V) | 220/230 | |
| Input power(W) | 180 | |
| Rated lifting weight(kg) | 50 | 100 |
| Lifting speed(m/min) | 10 | 5 |
| Lifting height(m) | 8 | 4 |
| Qty/CTN(PCS) | 4 | |
| packing dimension(cm) | 41x30x22 | |
| G.W./N.W.(kg) | 21/20 | |

PA200A

Features

Emergency stop switch
Upper limit device
Thermal protection terminal
Protection class IP54



| Method of use | Single hook | Double hook |
|--------------------------|-------------|-------------|
| Rated volt(V) | 220/230 | |
| Input power(W) | 450 | |
| Rated lifting weight(kg) | 100 | 200 |
| Lifting speed(m/min) | 10 | 5 |
| Lifting height(m) | 12 | 6 |
| Qty/CTN(PCS) | 2 | |
| packing dimension(cm) | 46x36x16 | |
| G.W./N.W.(kg) | 21/20 | |

PA250A

Features

Emergency stop switch
Upper limit device
Thermal protection terminal
Protection class IP54



| Method of use | Single hook | Double hook |
|--------------------------|-------------|-------------|
| Rated volt(V) | 220/230 | |
| Input power(W) | 500 | |
| Rated lifting weight(kg) | 125 | 250 |
| Lifting speed(m/min) | 10 | 5 |
| Lifting height(m) | 12 | 6 |
| Qty/CTN(PCS) | 2 | |
| packing dimension(cm) | 46x36x16 | |
| G.W./N.W.(kg) | 21/20 | |

PA300A

Features

Emergency stop switch
Upper limit device
Thermal protection terminal
Protection class IP54



| Method of use | Single hook | Double hook |
|--------------------------|-------------|-------------|
| Rated volt(V) | 220/230 | |
| Input power(W) | 550 | |
| Rated lifting weight(kg) | 150 | 300 |
| Lifting speed(m/min) | 10 | 5 |
| Lifting height(m) | 12 | 6 |
| Qty/CTN(PCS) | 2 | |
| packing dimension(cm) | 46x36x16 | |
| G.W./N.W.(kg) | 22/21 | |

PA400A

Features

Emergency stop switch
Upper limit device
Thermal protection terminal
Protection class IP54



| Method of use | Single hook | Double hook |
|--------------------------|-------------|-------------|
| Rated volt(V) | 220/230 | |
| Input power(W) | 750 | |
| Rated lifting weight(kg) | 200 | 400 |
| Lifting speed(m/min) | 10 | 5 |
| Lifting height(m) | 12 | 6 |
| Qty/CTN(PCS) | 2 | |
| packing dimension(cm) | 52x41x17 | |
| G.W./N.W.(kg) | 33/31 | |

PA500A

Features

Emergency stop switch
Upper limit device
Thermal protection terminal
Protection class IP54



| Method of use | Single hook | Double hook |
|--------------------------|-------------|-------------|
| Rated volt(V) | 220/230 | |
| Input power(W) | 900 | |
| Rated lifting weight(kg) | 250 | 500 |
| Lifting speed(m/min) | 10 | 5 |
| Lifting height(m) | 12 | 6 |
| Qty/CTN(PCS) | 2 | |
| packing dimension(cm) | 52x41x17 | |
| G.W./N.W.(kg) | 34/32 | |

PA600A

Features

Emergency stop switch
Upper limit device
Thermal protection terminal
Protection class IP54



| Method of use | Single hook | Double hook |
|--------------------------|-------------|-------------|
| Rated volt(V) | 220/230 | |
| Input power(W) | 1050 | |
| Rated lifting weight(kg) | 300 | 600 |
| Lifting speed(m/min) | 10 | 5 |
| Lifting height(m) | 12 | 6 |
| Qty/CTN(PCS) | 2 | |
| packing dimension(cm) | 52x41x17 | |
| G.W./N.W.(kg) | 36/34 | |

YAMA

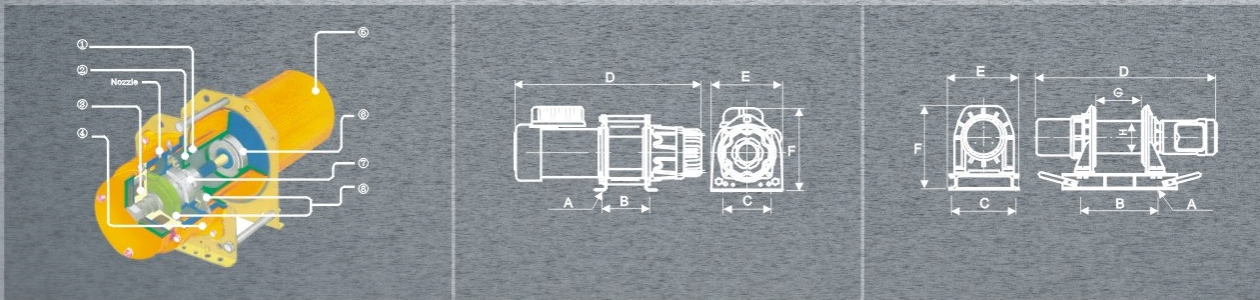
Electric Windlass Series



KDJ-200E、KDJ-250E、
KDJ-300E、KDJ-300E1、



KDJ-500E1、KDJ-750E1、
KDJ-1000E1、KDJ-10000E1、



技术参数 TECHNIQUE PARAMETER

外形尺寸 DIMENSIONS IN MM

| 型号 Model | 额定 载荷 Rated Load (kg) | 额定 速度 Rated Speed (m/min) | 提升 高度 Lifting Height (m) | 钢丝绳 直径 Cable Diameter (mm) | 容绳 量 Cord Capacity (m) | 工作 级别 Work Level | 电机 Motor (kw) | 电压 Volt(v) | 频率 Frequency (Hz) | 净重 N.W. (Kg) | 符号 Symbol 型号 Model | A | B | C | D | E | F | G | H | |
|-------------|--------------------------------|------------------------------------|--------------------------------------|--|------------------------------------|---------------------------|---------------------|------------------------------------|-------------------------|--------------------|-----------------------------|--------|-----|-----|-----|-----|-----|-----|-----|------|
| KDJ-200E | 200 | 11 | 29 | ø6 | 30 | M3 | 0.6×4 | AC 100/110/ 120/220/ 230/240 | 50/60 | 36 | KDJ-200E | 4-ø105 | 142 | 142 | 510 | 210 | 246 | 108 | ø94 | |
| KDJ-250E | 250 | | | 0.75×4 | 40 | | KDJ-250E | | | 525 | | | | | | | | | | |
| KDJ-300E | 300 | | | 1.1×4 | 49 | | KDJ-300E | | | 540 | | | | | | | | | | |
| KDJ-300E1 | 300 | 13 | ø7 | 30 | Three phase | | 48 | KDJ-300E1 | | 172 | 548 | 133 | ø90 | | | | | | | |
| KDJ-500E1 | 500 | 13 | 58 | ø9 | 60 | | 2.2×4 | 136 | | | KDJ-500E1 | 4-ø14 | 922 | 400 | 330 | 935 | 372 | 430 | 240 | ø140 |
| KDJ-750E1 | 750 | | | | | | 3×4 | 149 | | | KDJ-750E1 | 4-ø18 | | | | | | | | |
| KDJ-1000E1 | 1000 | | | | | 4×4 | 156 | KDJ-1000E1 | | | | | | | | | | | | |

YAMAHA

H-2500

2,500 kg

Cable Puller

110V, 220V-240V x 1ph AC



- Dual pulling capacities of 2,500 kg and 1,500 kg
- Dual speeds vary according to drum size
- A overload protection switch ensure automatic shut-off
- Electromagnetic spring-apply failsafe brake
- Heavy duty high efficiency ball bearings on all running surfaces
- Rugged high power induction motor of proven reliability
- Case hardened gear train for maximum mechanical efficiency
- Suitable for continuous pulling to tackle the toughest wall, ground and underground pulling applications

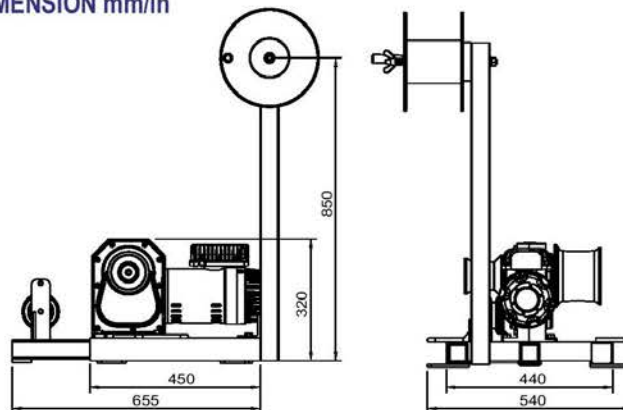
SPECIFICATIONS

| MODEL | | Large drum | Small drum |
|--------------------------------|-------------|-----------------------------|------------|
| Pulling capacity kg | | 1,500 | 2,500 |
| Rope speed m/mm | 50 Hz | 4.0 | 2.5 |
| | 60 Hz | 5.0 | 3.0 |
| Gear train | | hypoid gear plus spur gears | |
| Gear ratio | | 154:1 | |
| Motor rating IP44 | | 600 w | |
| Drum dimension, mm | length | 124 | 104 |
| | drum dia. | 110 | 74 |
| | flange dia. | 166 | 94 |
| Cable puller weight, kg | | 60 | |
| Gross weight, kg | | 83 | |
| Body dimension, mm (L x D x H) | | 457 x 362 x 267 | |
| Box dimension, mm (L x D x H) | | 610 x 720 x 500 | |

STANDARD ACCESSORIES

- Rope arm
- Base plate
- Wire rope 8 mm x 50 m
- Detachable rope storage roller
- Foot control with 2.0 mm² x 3C x 2 m lead
- Power lead coming with 1.5 mm² x 3C x 3 m

DIMENSION mm/in



ELECTRIC Winch (Longer rope)

300kg

< 110V or 220V-240V×1ph AC >

FEATURES:

- Positive retention of wire rope on to drum
- Electromagnetic spring-applied fail safe brake
- Heavy duty high efficiency ball bearings on all running surfaces
- Planetary gearing for maximum mechanical efficiency
- Enclosed drum flange to prevents ropes becoming trapped between drum and support castings quietrunning

WARNING:

Winches are not to be used for the moving of persons

WARRANTY:

Each new winch is guaranteed against defects in workmanship and material defects for a period of twelve months from date of purchase.

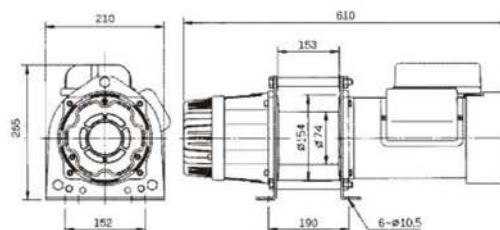
Wire ropes are not included under warranty.

STANDARD ACCESSORIES:

Wire rope 7mm×30m
 Weight hook K-15
 Switch cord 2mm²×5C×3m
 Power lead 3.5mm²×3C×60com and industry plug
 Pendant switch K-213

OPTIN ACCESSORIES:

Remote control K-213A assembly



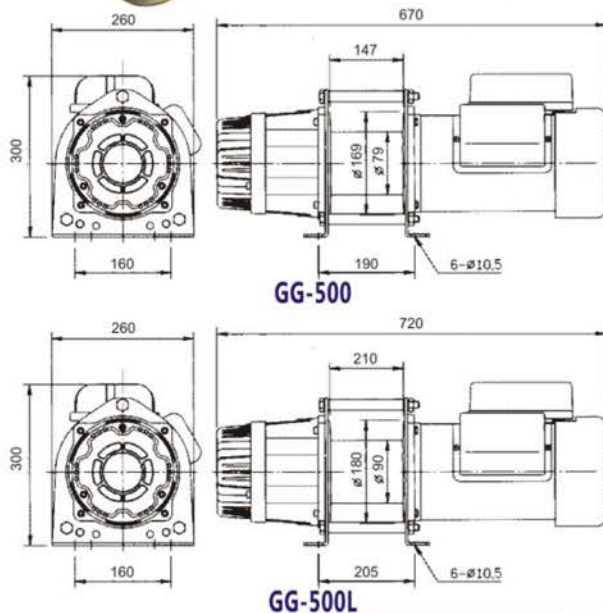
SPECIFICATIONS

| Model | | YM-301E |
|---|-------------|----------|
| Lifting capacity kg wire rope top layer | | 300 |
| Lifting speed m/min | first layer | 12 |
| | top layer | 18 |
| Motor rating IP44 | kw/poles | 1.15 × 4 |
| Maximum lifting height m | | 44 |
| Wire rope φ mm × m | | 6 × 45 |
| Drum dimension mm | width | 153 |
| | drum dia | 74 |
| | flange dia | 154 |
| Net weight kg | | 36 |
| Gross weight kg | | 38 |

ELECTRIC Winch

500. 500kg

< 220V-240V×1ph AC
220V-380V-440V×3ph AC >



FEATURES:

- Positive retention of wire rope on to drum
- Electromagnetic spring-applied fail safe brake
- Heavy duty high efficiency ball bearings on all running surfaces
- Planetary gearing for maximum mechanical efficiency
- Enclosed drum flange to prevents ropes becoming trapped between drum and support castings quietrunning

WARNING:

Winches are not to be used for the moving of persons

WARRANTY:

Each new winch is guaranteed against defects in workmanship and material defects for a period of twelve months from date of purchase.

Wire ropes are not included under warranty.

STANDARD ACCESSORIES:

- Wire rope 8mm×30m for GG-500
- Wire rope 8mm×50m for GG-500L
- Weight hook K-17
- Switch cord 3.5mm²×5C×3m
- Power lead 5.5mm²×3C×60com and industry plug
- Pendant switch K-213

OPTIN ACCESSORIES:

- Remote control K-213A assembly

SPECIFICATIONS

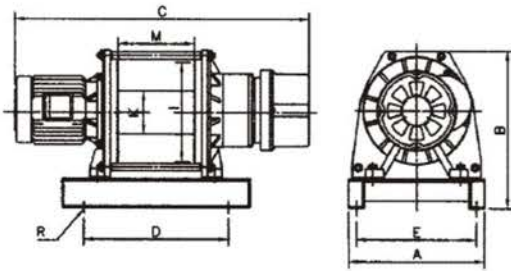
| Model | | YM-501E |
|---|-------------|---------|
| Lifting capacity kg wire rope top layer | | 500 |
| Lifting speed m/min | first layer | 18 |
| | top layer | 23 |
| Motor rating IP44 | kw/poles | 1.8×4 |
| Maximum lifting height m | | 39 |
| Wire rope φ mm × m | | 7 × 40 |
| Drum dimension mm | width | 210 |
| | drum dia | 79 |
| | flange dia | 169 |
| Mounting bolt pattern mm | | 255×165 |
| Net weight kg | | 62 |
| Gross weight kg | | 65 |

ELECTRIC Winch

YAMA

< 220V-380V-440V×3ph AC >

1000. 2000. 3000kg



FEATURES:

- Heavy duty high efficiency ball bearings on all running surfaces
- Planetary gearing for maximum efficiency
- Cast steel foot mounting
- Fabricated steel drum
- Electromagnetic spring-applied fail safe brake
- Supplied on steel base plate ready to mount
- Enclosed drum flange to prevents ropes becoming trapped between drum and support castings quietrunning

WARNING:

Winches are not to be used for the moving of persons

WARRANTY:

Each new winch is guaranteed against defects in workmanship and material defects for a period of twelve months from date of purchase.

Wire ropes are not included under warranty.

STANDARD ACCESSORIES:

- Wire rope w/safety hook
- Switch cord 1.25mm²×3C×10m
- Power lead 14mm²×4C×1m
- Pendant switch K-61
- Base plate

OPTIN ACCESSORIES:

- Remote control K-82A assembly

DIMENSIONS MM

| Model | Mounting bolt pattern | | | D | E | I | M | K | R |
|---------|-----------------------|-----|------|-----|-----|-----|-----|-----|-------|
| | A | B | C | | | | | | |
| GG-1060 | 340 | 430 | 1000 | 400 | 336 | 280 | 240 | 110 | 4-φ16 |

SPECIFICATIONS

| Model | Lifting capacity top layer kg | Lifting speed m/min | Motor hp×poles | Lifting height m | Wire rope φ mm×m | Net weight kg | Gross weight kg |
|----------|-------------------------------|---------------------|----------------|------------------|------------------|---------------|-----------------|
| YM-1000E | 1000 | 11-17 | 3×6 | 49 | 10×50 | 160 | 185 |